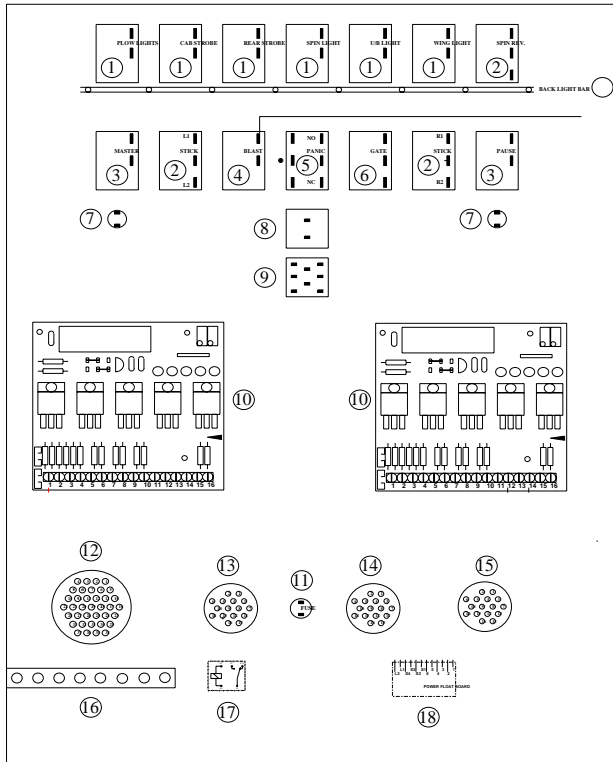


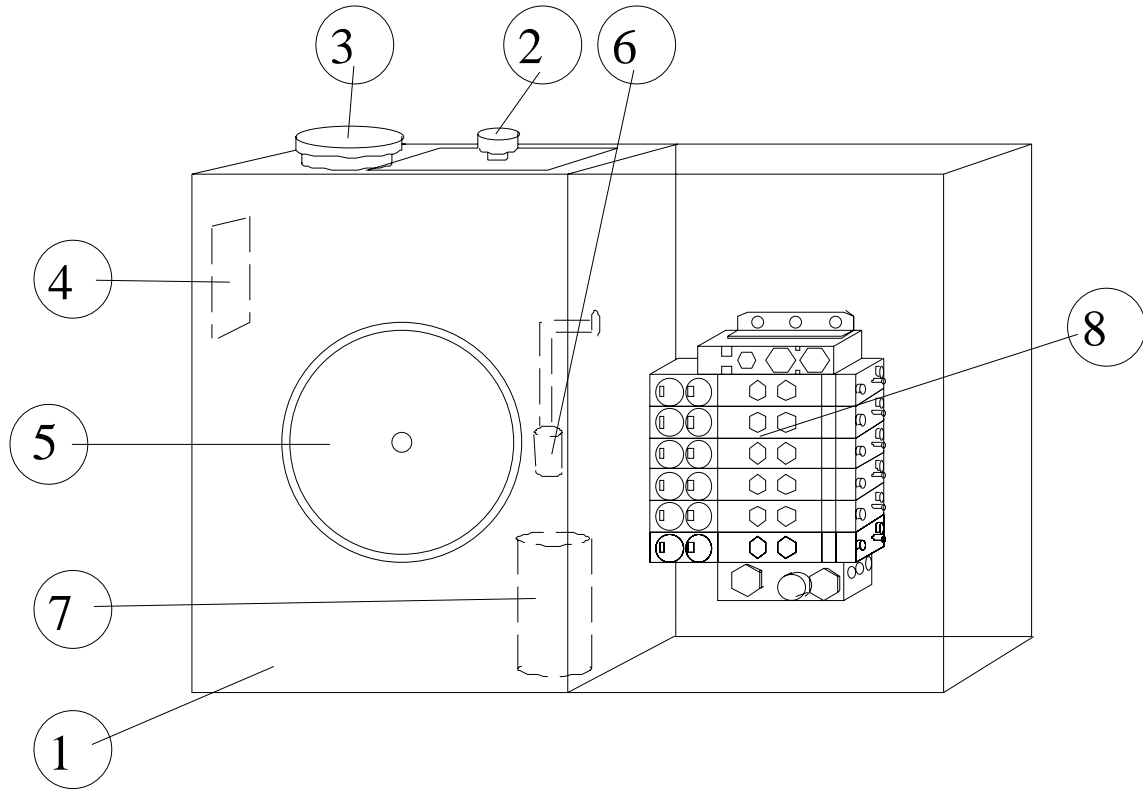


CONSOLE PARTS	1
TANK PARTS	2
COMPUTER TRAY PARTS	3
CONVEYOR SENSING PARTS	4
V.O.A.C. TITLE PAGE	5
SPOOL SECTION PARTS LIST	6
SPOOL SECTION BLOW-UP.....	7
INLET SECTION PARTS LIST.....	8
INLET SECTION BLOW-UP.....	9
END SECTION PARTS LIST.....	10
END SECTION BLOW-UP.....	11
ASSY. PARTS BY KIT.....	12 - 18



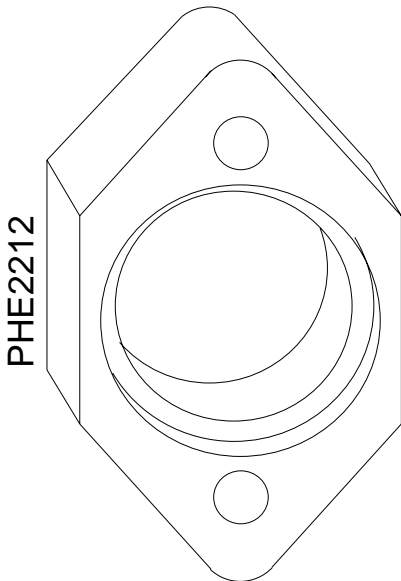
Ref #	Description	Type	Part #
1	Lighting function switch	SPST OFF ON	34-571
2	Selector switch	SPDT ON ON	34-572
3	Master, Pause	SPST OFF ON	34-571
4	Blast	SPST OFF (ON)	34-570
5	Panic	DPDT NO NC	AB6MA2PR
6	Hydraulic function	SPDT (ON) OFF (ON)	34-575
7	Indicator	L.E.D.	55-432-1
8	Warning lamp	3/4" square	224L10-8907+SPE73
9	Power float switch	3/4" square	AML21CBA2AD+SPE73
10	Joy stick	Proportional	PHE 7000V
11	Fuse	Panel mount	HKP
12	CPC Connector	37 pin Panel mount	206151-1
13,14,15	CPC Connector	16 pin Panel mount	206036-1
16	Terminal strip	8 Terminal	52-272
17	Panic relay	Bosch	VF4 45 F11
18	Power float	PC Board	PHE 3500
	Console box	AC 5000 or AC 3000	AC5200 or AC3200
	Toggle switch	1/2 boot	25-371
	Console box label	Decal	PHE 9046
	Backlight bar	PC	PHE 5010K

Accu-Cast Console parts



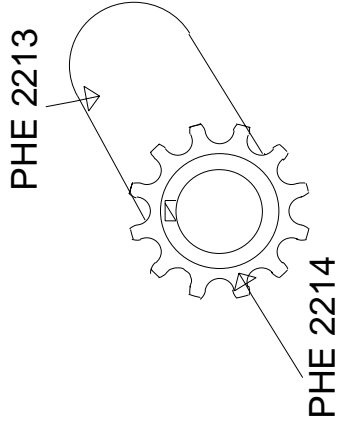
Ref #	Description	Type	Part #
1	Tank	Upright	PHE V TANK
1	Tank	Frame mount	PHE IV S TANK
2	Filler breather		SES7105S30
3	Return Filter housing	In-tank	FTC1A10QV25S24X
3	Return Filter element		FTCE1B1OQ
	Pressure filter housing	Frame mount	30P210QM250NN1
	Pressure filter element		932630Q
4	Site gauge		SNA127BST12
5	Inspection cover		ECB-12
5	Cover gasket		ECSK-12
6	Low oil	Sending unit	LS1800
7	Suction strainer		TFS2003
8	Valve	VOAC	See valve parts
	Rubber tank lid latch		WJ202
	Tank mounting springs		TANK SPRING
	Hydraulic oil		RANDO 32

Accu-Cast TANK PARTS



PHE2212

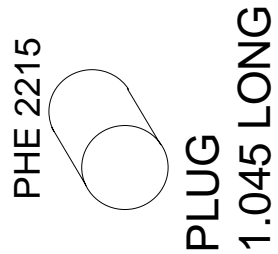
SPACER FOR 2 BOLT
CHAR LYNN



PHE 2213

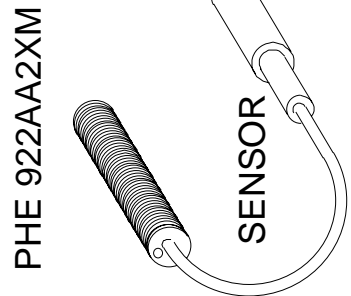
PHE 2214

COUPLER
3.96 LONG



PHE 2215

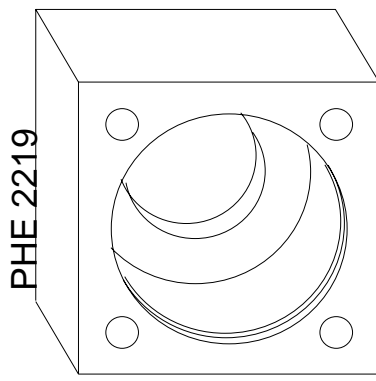
PLUG
1.045 LONG



PHE 922AA2XM

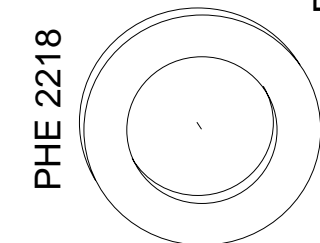
SENSOR

ASSEMBLY PHE 2202



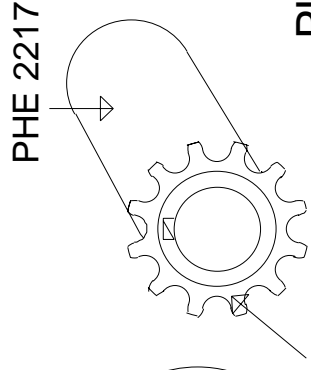
PHE 2219

SPACER FOR 4 BOLT
CHARLYNN



PHE 2218

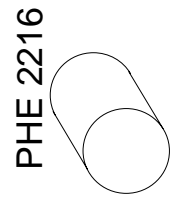
ADAPTER
COUPLER
3.7 LONG



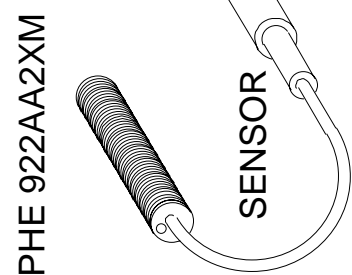
PHE 2217

PHE 2214

PLUG
1.286 LONG



PHE 2216



PHE 922AA2XM

SENSOR

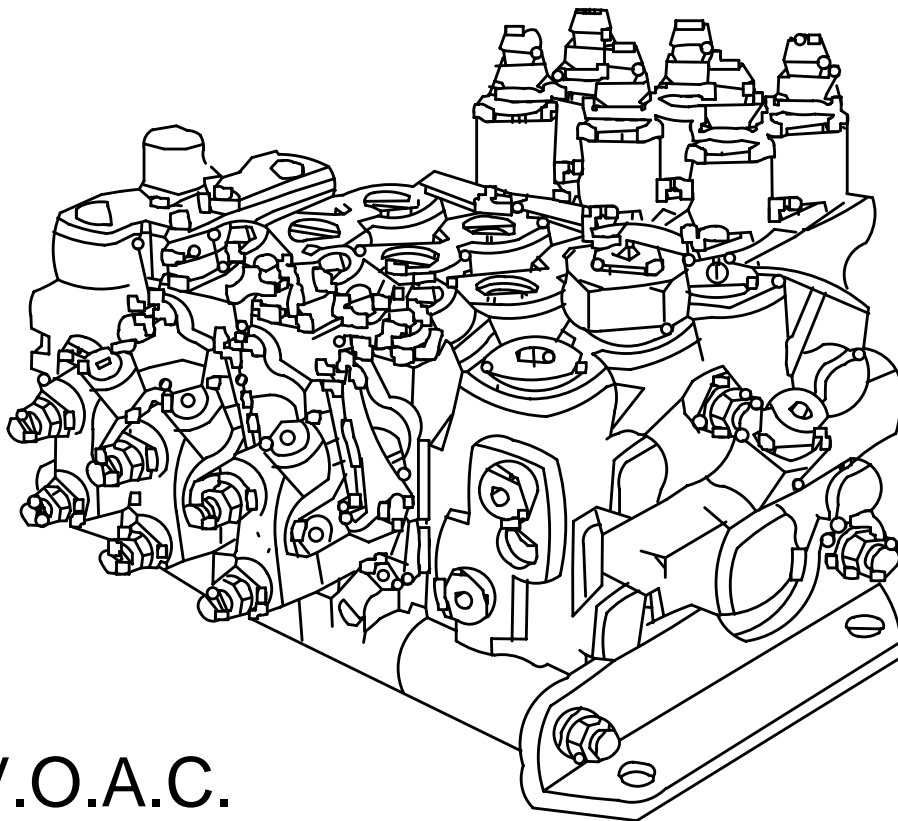
1GT101DC
(NEW STYLE)

ASSEMBLY PHE 2204

P.H.E. ADAPTER PARTS FOR CHAIN SPEED SENSING



PRAIRIE HYDRAULIC EQUIPMENT LTD.

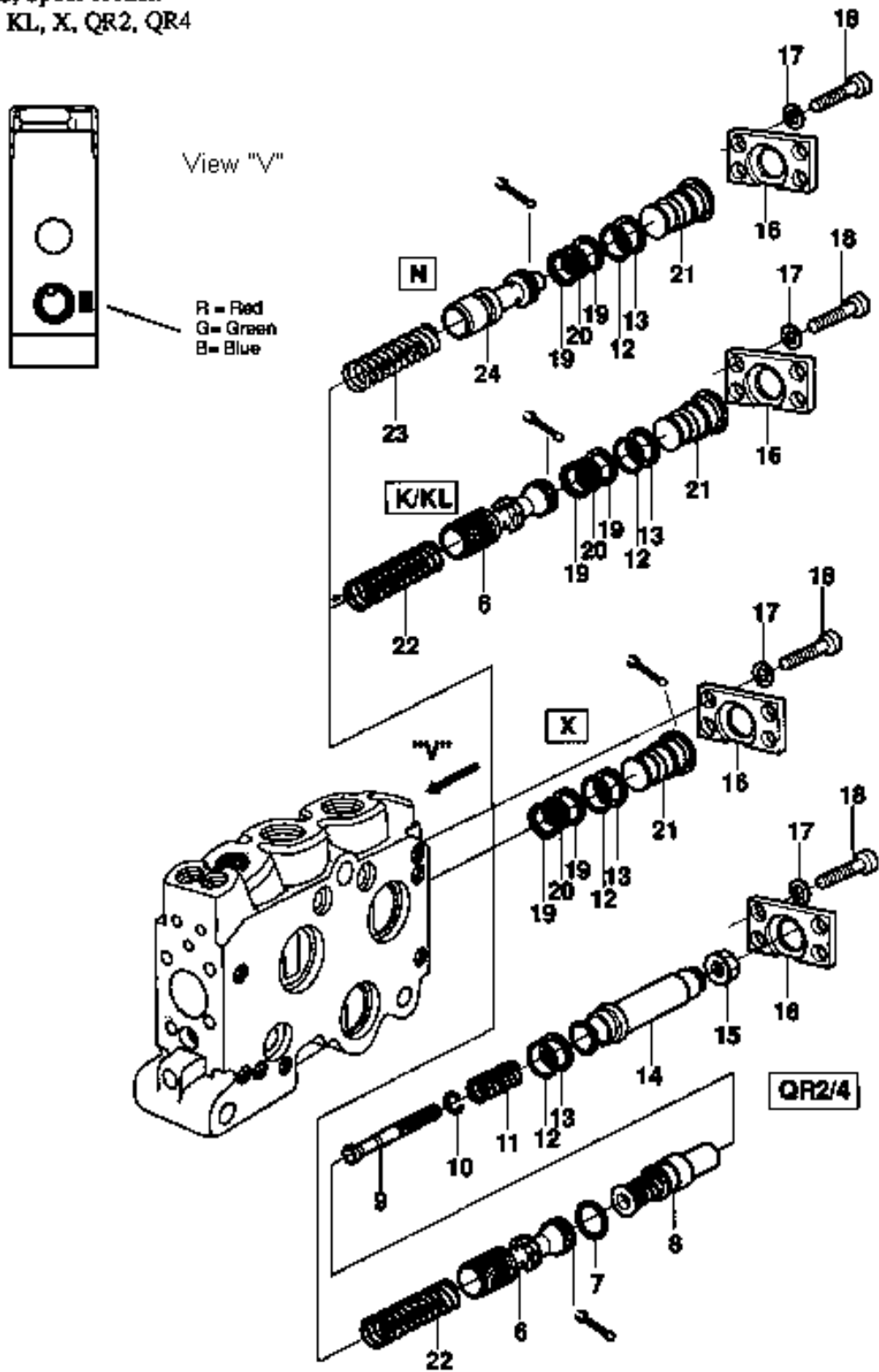


V.O.A.C.

VALVE PARTS

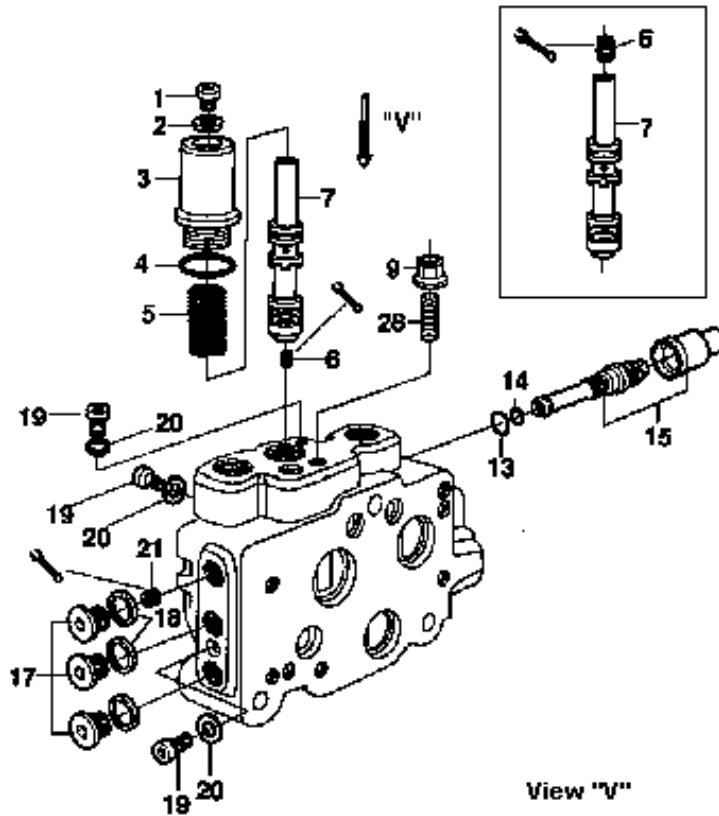
Item	Part No.	Description	Item	Part No.	Description
	L90LS			L90LS	
-	393000K169	Compensator kit, K Size B	-	393000K171	Plug, X
-	393000K 469	Compensator kit, K Size G	-	3762 156	Plug, compl.*
-	393000K669	Compensator kit, K Size R			*Items: 12, 13, 19 (2x), 20, 21
6	-	Spool			
22	3762 127	Spring			
-	3762 156	Plug, complete*			
				393000K172	Cover kit, (for C, B3, ACE)
-	393000K209	Compensator kit, KL Size B	18	0211 1207 03	Screw, M5 x 16(4x) <i>MV=10 Nm</i>
-	393000K409	Compensator kit, KL Size G	17	0301 2318	Washer, 5.3 x 10 (4x)
-	393000K609	Compensator kit, K Size R	16	3762 125	Cover
6	-	Spool			
22	3762 122	Spring			
-	3762 156	Plug, complete*	-	393000K811	Seal kit for K, KL, X, N, QR
					Items: 7, 12, 13, 15, 19(2x), 20
-	393000K170	Supply check valve, N Size B			
-	393000K470	Supply check valve, N Size G			
-	393000K670	Supply check valve, N Size R			
24	-	Spool			
-	3762 156	Plug complete*			
23	9128 3726	Spring			
25	9128 3726	Screw, M4 x 5 <i>MV=1.5 Nm</i>			
-	393000K233	Flow reducing kit QR2/4 for K			
-	393000K234	Flow reducing kit QR2/4 for KL			
-	3762 507	Setting device QR2/4 for K			Restrictors for K, KL, QR2/4
		Items: 7, 8, 9, 10, 11, 12, 13, 14, 15	25	9128 3777 06	Restrictor, ø 0.6
22	3762 127	Spring K	25	9128 3777 08	Restrictor, ø 0.8
22	3762 122	Spring KL	25	9128 3777 10	Restrictor, ø 1.0

**L90LS, Spool section
N, K, KL, X, QR2, QR4**



Item	Part No.	Description	Item	Part No.	Description
	L90LS			L90LS	
-	393000K246	Main relief valve PS, size B	-	393000K802	Plug kit "G"
-	393000K446	Main relief valve PS, size G	-	393000K803	Plug kit "U"
-	393000K646	Main relief valve PS, size R	17	0686 6442 03	Plug, G 1/4" (3x) <i>MV=30 Nm</i>
15	-	Relief valve PLD03	18	0661 1020	Sealing ring, G 1/4" (3x)
7	-	Spool, size B	17	3176 7868 05	Plug, 9/16"-18 (3x) <i>MV=30 Nm</i>
7	-	Spool, size R	18	0663 9061 01	O-ring, 11.9 x 1.98 90° Sh (3x)
7	-	Spool, size G			
5	3762 247	Spring			
3	3762 266	Plug comp. (1-4) <i>MV=60 Nm</i>	19	9800 34	Screw, M6 x 12 <i>MV=10 Nm</i>
28	9125 7244	Screw, M8 x 25	20	9125 6300	Sealing ring, M6
9	9126 7109	Nut, M8 Seal-lock <i>MV=20 Nm</i>	21	0190 1241	Screw, M6 x 6 <i>MV=5 Nm</i>
6	9128 3777 10	Restrictor (M4) <i>MV=5 Nm</i>			
			-	939000K801	Seal kit, PS (LS1)
6*	9127 1971 09	Restrictor (M6) <i>MV=5 Nm</i>			Items: 2, 4, 9, 13, 14, 16, 20 (3x)

L90LS, Inlet section
 PS, LS1 Variable pump



1 bar = 14.5 lb(f) - in²
 (125 bar = 1812 lb(f) - in²)
1 Nm = 8.8508 lb(f) - in
 (60 Nm = 531 lb(f) - in)
1 Nm = 0.7376 lb(f) - ft
 (60 Nm = 44.25 lb(f) - ft)
1 mm = 0.03937 in
 (17.3 mm = 0.68 in)

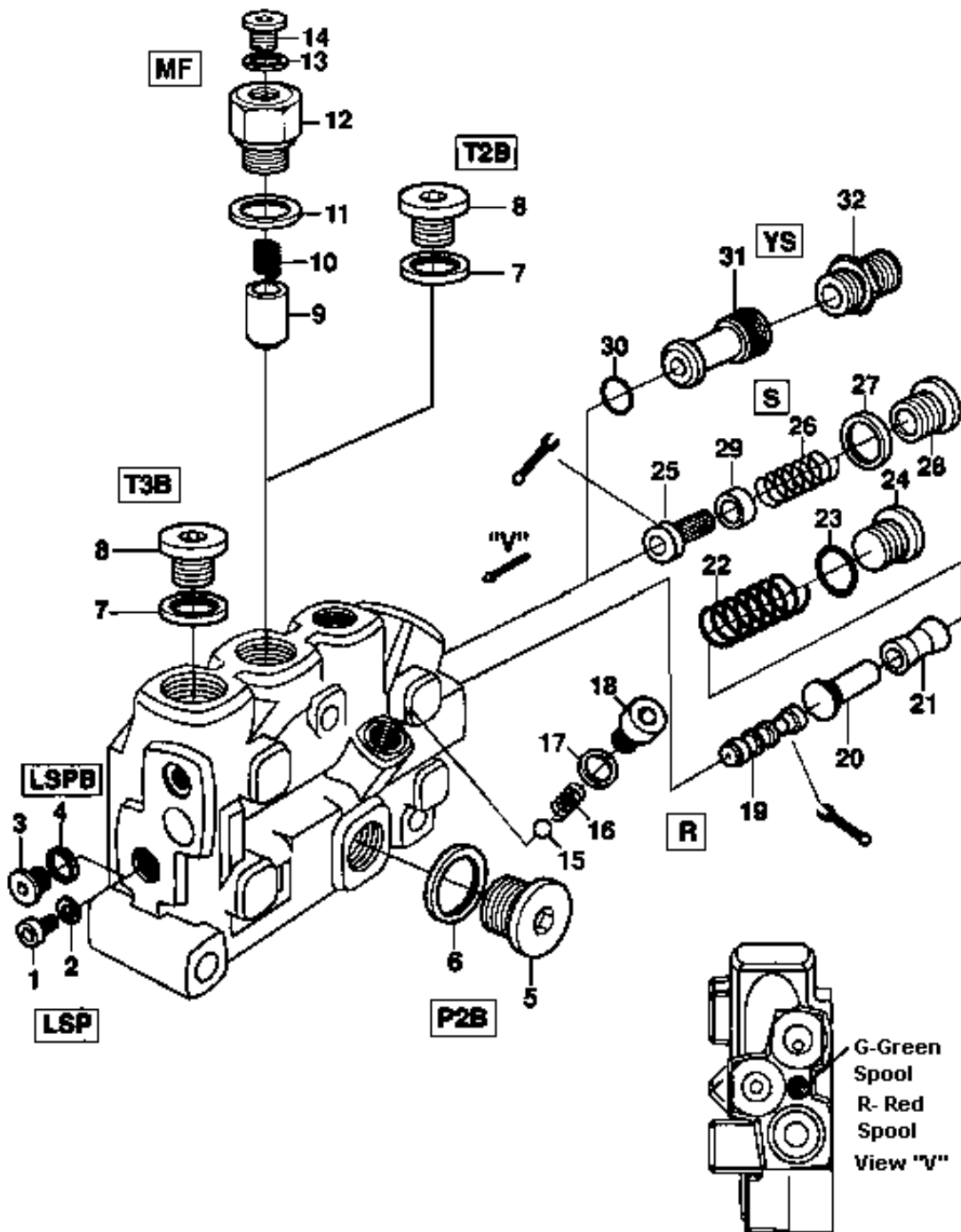
View "V"



G = Green Spool
R = Red Spool
B = Blue Spool

Item	Part No.	Description	Item	Part No.	Description
	L90LS				L90LS
-	393000K055	LSP, Inlet	12	3762 088	Plug U, MV=100Nm
2	0301 2318	Washer, 5.3 x 10	13	0661 1020	Sealing ring, G 1/4"
1	0211 1203 03	Screw, M5 x 8 MV=10Nm	13	0663 9061 01	O-ring, 11.9 x 1.98 90° Shore
			14	0686 6442 03	Plug, G 1/4" MV=30Nm
-	393000K057	LSPB Plug, "G"	14	3176 7868 05	Plug, 9/16"-18 MV=30Nm
-	393000K 058	LSPB Plug, "U"			
3	0686 6442 03	Plug, G 1/4" MV=30Nm	-	393000K073	R, Pilot supply reducing, Size G
3	3176 7868 05	Plug, 9/16"-18 MV=30Nm	-	393000K473	R, Pilot supply reducing, Size R
4	0661 1020	Sealing ring G 1/4"	15	0517 1162	Steel Ball ø 8
4	0336 9061 01	O-ring, 11.9 x 1.98 90° Shore	16	9120 4004 17	Spring
			17	0661 1005	Sealing ring M12
-	393000K061	P2B Plug, "G"	18	9127 3200 22	Plug, MV=30Nm
-	393000K062	P2B Plug, "U"	19	9126 4368 02	Spool size G
5	0686 6444 03	Plug, G 1/2" MV=60Nm	20	9127 3200 18	Poppet
5	3176 7868 07	Plug, 7/8"- MV=60Nm	21	9120 1000 34	Sleeve
6	0661 1033	Sealing ring	22	9124 3200 14	Spring
6	0663 9070 01	O-ring, 19.18 x 2.4 90° Shore	23	0663 9099 01	O-ring 17.86 x 2.62 90° Shore
			24	9126 2444 13	Plug, G 1/2" MV=60Nm
-	393000K065	T2B/T3B plug, "G"	19	9126 4368 01	Spool size R
-	393000K066	T2B/T3B plug, "U"			
7	0661 1038	Sealing ring, G 3/4"	-	393000K074	S, Pilot supply strainer
7	0663 9127 01	O-ring, 23.47 x 2.95 90° Shore	25	9126 3860 26	Strainer
8	9125 8018	Plug, G3/4" MV=100Nm	26	9127 3200 19	Spring
8	3176 7868 08	Plug, 1 1/16"-12 MV=100Nm	27	0661 1020	Sealing ring G 1/4"
			28	9127 3200 20	Plug, MV=30Nm
-	393000K067	MF Counter pressure valve "G"	29	9128 9702	Distance
-	393000K068	MF Counter pressure valve "U"			
9	3762 102	Poppet	-	393000K075	YS, Plug "G"
10	3762 089	Spring	-	393000K076	YS, Plug "U"
11	0061 1038	Sealing ring, G 3/4"	30	0663 6112	O-ring, 5.1 x 1.6 70° Shore
11	663 9127 01	O-ring, 23.47 x 2.95 90° Shore	31	9127 3200 24	YS plug, G
12	3762 085	Plug G, MV100Nm	32	3176 6348	YS adapter, U

**L90LS, End section
LSP, LSPB, P2B, MF, T2B, T3B**



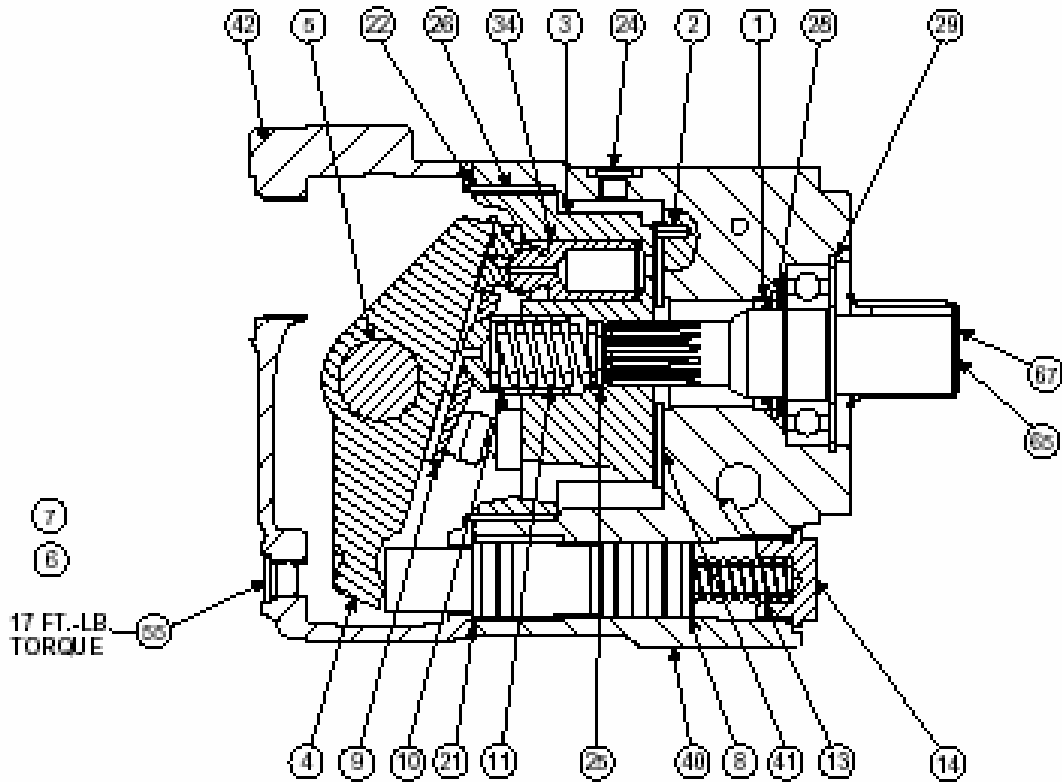
Service Parts Guide

PM 3141-04

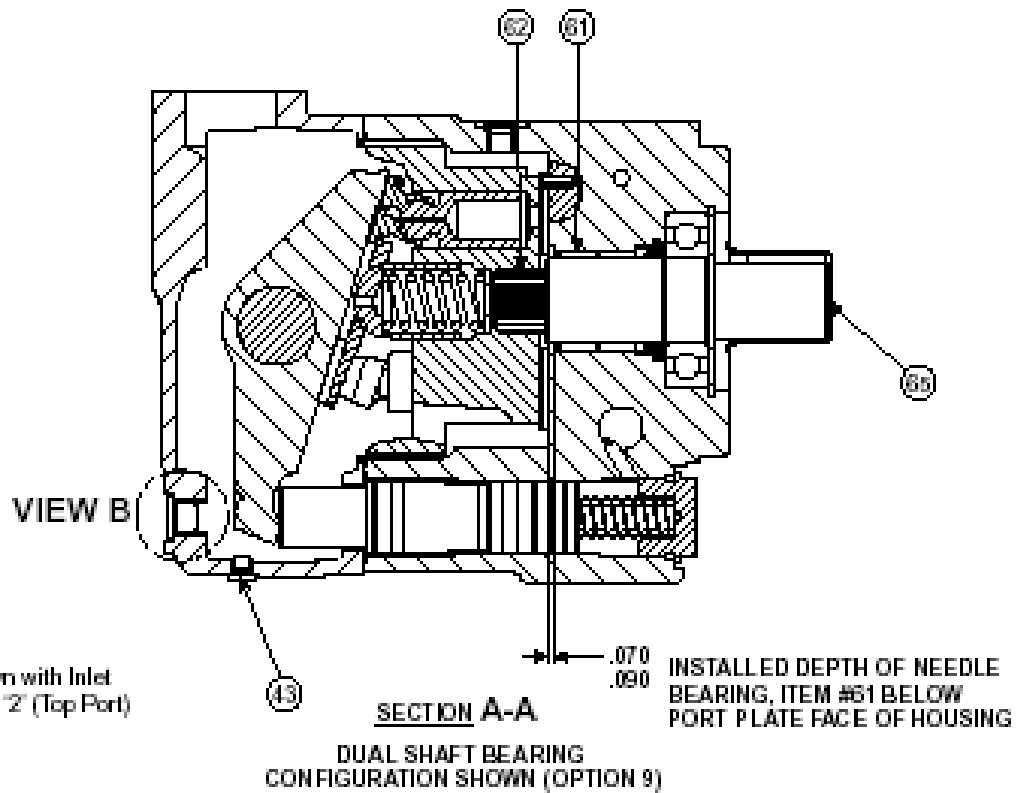
Effective: February, 1996

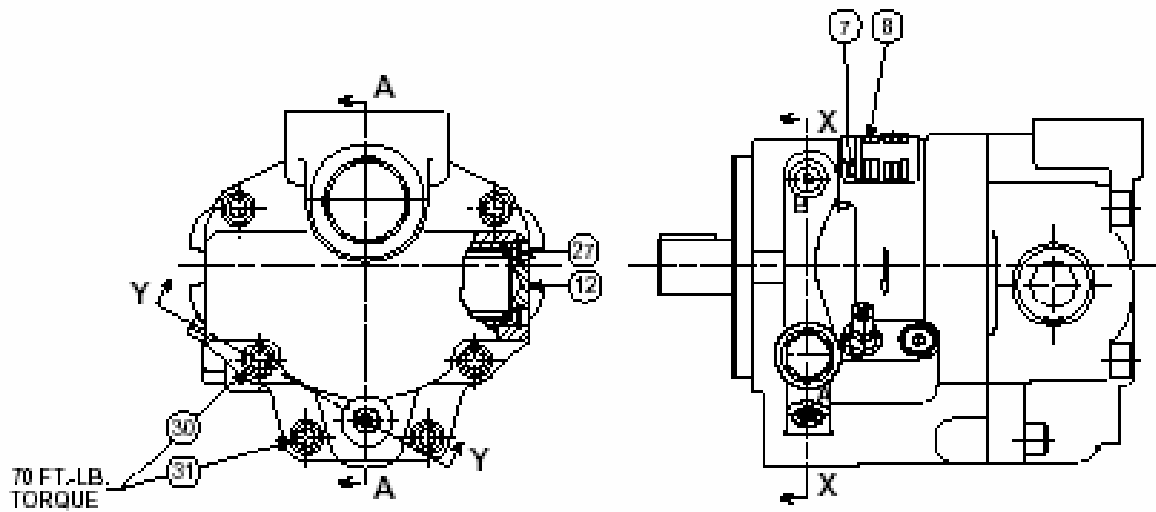
PAVC SERIES VARIABLE VOLUME PISTON PUMP

Model PAVC 65 * * * * 13

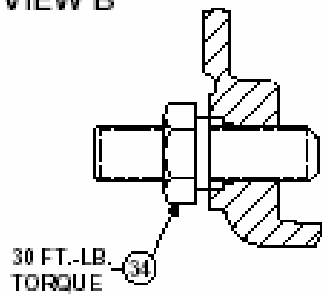


NOTE:
 Pump shown with Inlet
 Port Option 'Omit' (Rear Port)

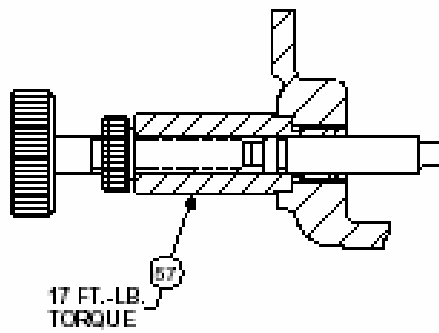




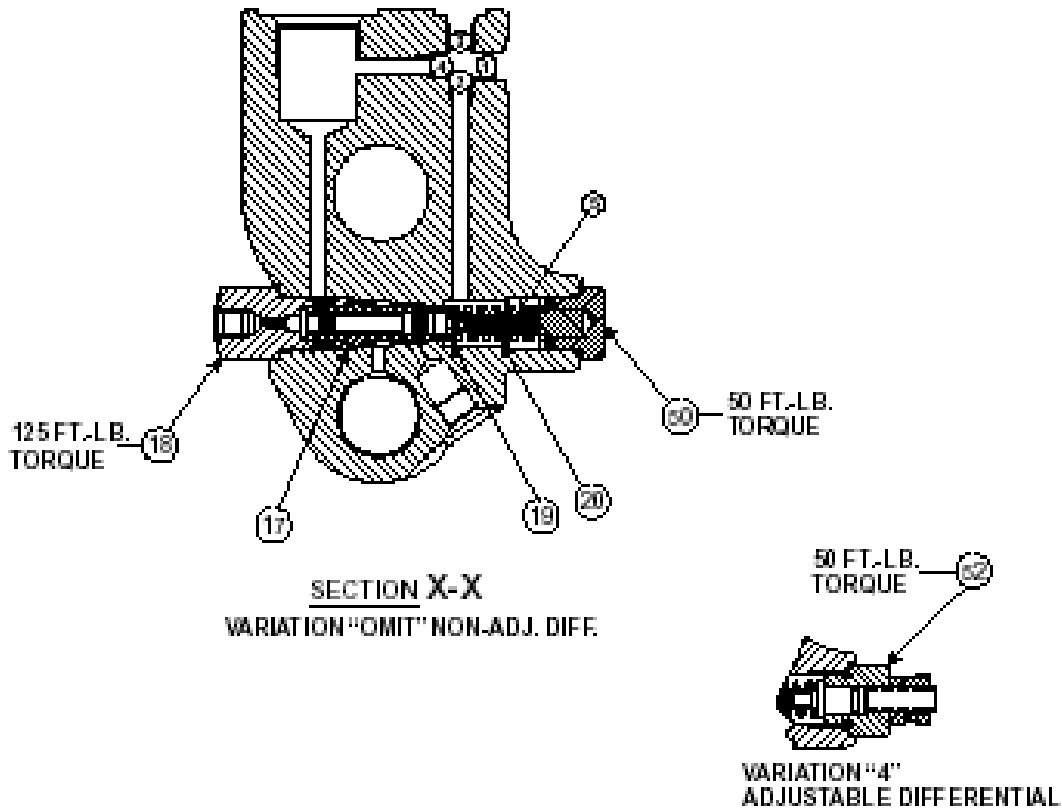
VIEW B



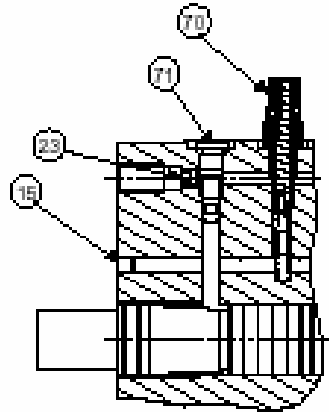
**MAXIMUM VOLUME STOP
VARIATION - 2**



**MAXIMUM VOLUME STOP
VARIATION - 5**

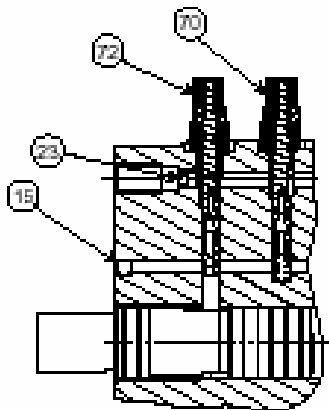


CONTROL OPTION	POSITION				
	⊕	⊕	⊕	⊕	⊕
OMIT	OPEN	800699	108X4 ⊕	108X4 ⊕	OMIT
A	102X1	800699	OPEN	108X4 ⊕	NA787474
C	102X1	800699	OPEN	108X4 ⊕	NA787474
H	OPEN	800699	108X4 ⊕	108X4 ⊕	OMIT
M	800699	OPEN	OPEN	108X4 ⊕	OMIT
ME	102X1	800699	OPEN	108X4 ⊕	NA787474
S	800699	OPEN	OPEN	108X4 ⊕	OMIT
SE	102X1	800699	OPEN	108X4 ⊕	OMIT
AM	102X1	800699	786635 ⊕	OPEN	NA787474
CM	102X1	800699	786635 ⊕	OPEN	NA787474
HM	800699	OPEN	OPEN	108X4 ⊕	OMIT



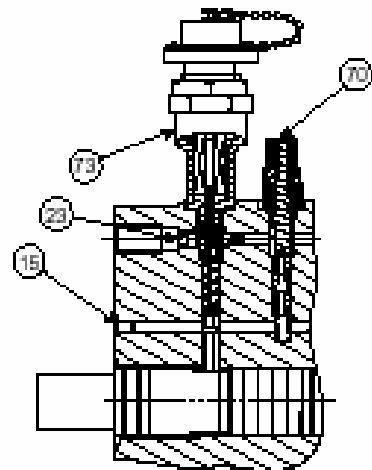
SECTION Y-Y

CONTROL OPTION OMIT
"A", "M", "ME", & "AM"



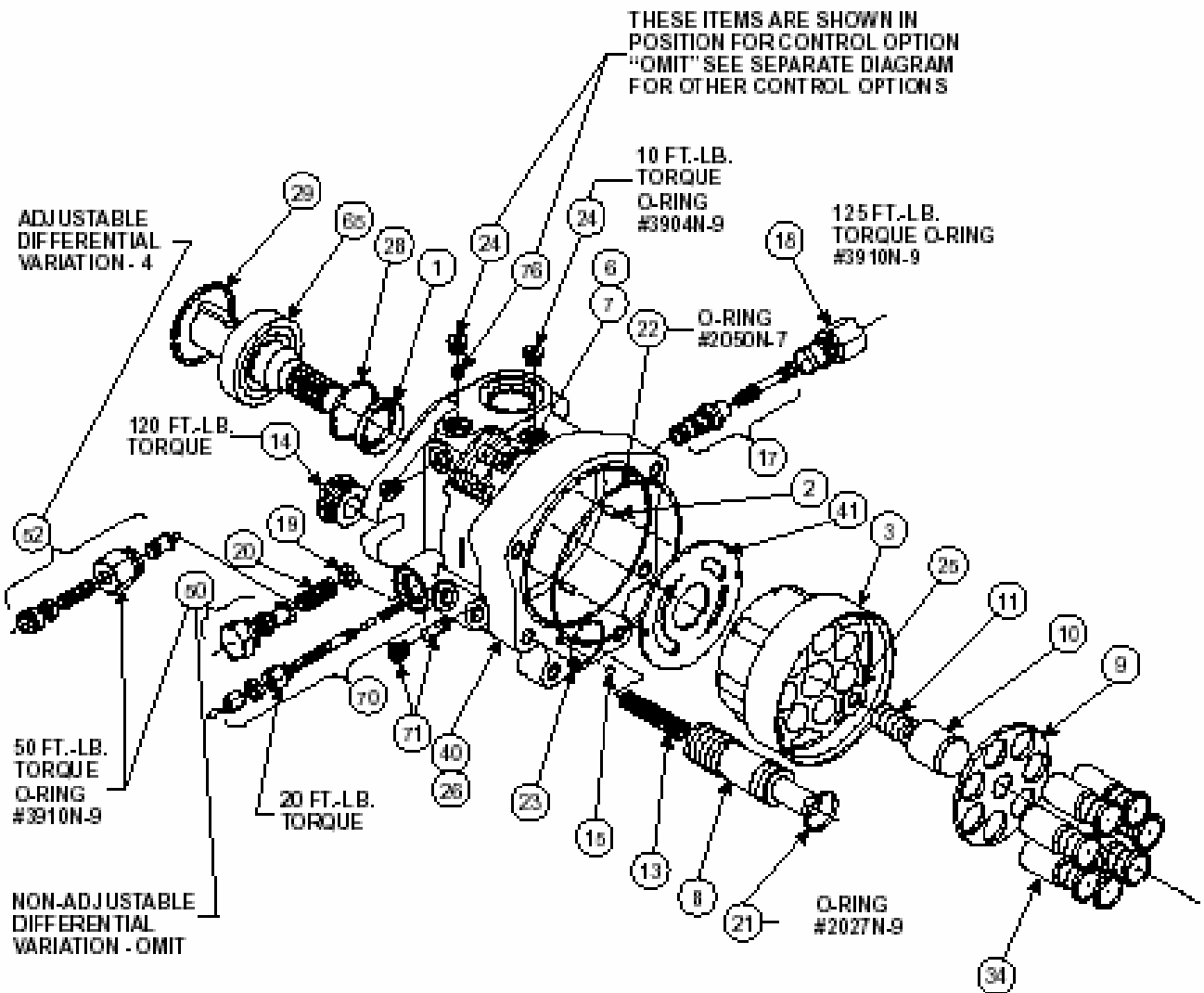
SECTION Y-Y

CONTROL OPTION
"C", "H", "CM", & "HM"



SECTION Y-Y

CONTROL OPTION
"S", & "SE"



NOTES:

1. Pump shown is clockwise rotation, control option omit, and rear inlet port.
For counter clockwise rotation outlet port, control drain and pump controls will be on opposite side.

2. Seal Kit P/N SKPAVC85** (** - Design Series).

3. Rotating Group Kit RRKPAVC85 ** (** - Design Series).

- R (CW)
- L (CCW)

